



A TEREX BRAND

Magnum Force Series

Delimber/Debarker and Disc Chipper

7544 Flail Debarker, Disc



Flail 604 Unit

CBI's Magnum Force Flail is engineered to be the industry's most rugged and productive delimber/debarker, capable of processing logs up to 24" in diameter. Coupled with our Disc Chipper 754, the Magnum Force Flail is the ideal tool for the pulp and paper industry and others looking for high production and quality, uniform wood chips.

CBI's four-roll flail design provides optimum contact with wood to deliver maximum debarking action. Consisting of four 44" long by 40" diameter drums, the flail is capable of running single or dual 8-link chains and speeds of 200-700 rpm. The top flail positions are determined by the top feed roll cylinder positioning sensors and the flail rpm is automatically adjusted based on log diameter. Flail drums are driven by high pressure hydraulic piston motors via synchronous belt drives. The mo-

tors are driven by high-efficiency hydrostatic hydraulic pumps.

Material is fed into and out of the flail chamber by pivoting large diameter and high-torque top feed roll assemblies with position-sensing cylinders to achieve optimum debarking performance. All cylinders are specially designed with heavy-duty clevises and pins for long life and durability. Infeed rolls monitor the height of incoming material and automatically adjust height and speed of flail rolls, improving debarking by reducing chain wear, fiber loss, and fuel consumption. Bottom feed rolls are driven by direct-coupled Char-Lynn motors through a Brevini gearbox. Topfeed rolls are internally driven by Poclair high-torque wheel motors and are completely covered to eliminate spillage. The completely-enclosed system prevents debris from escaping the flail chamber, drastically reducing maintenance.

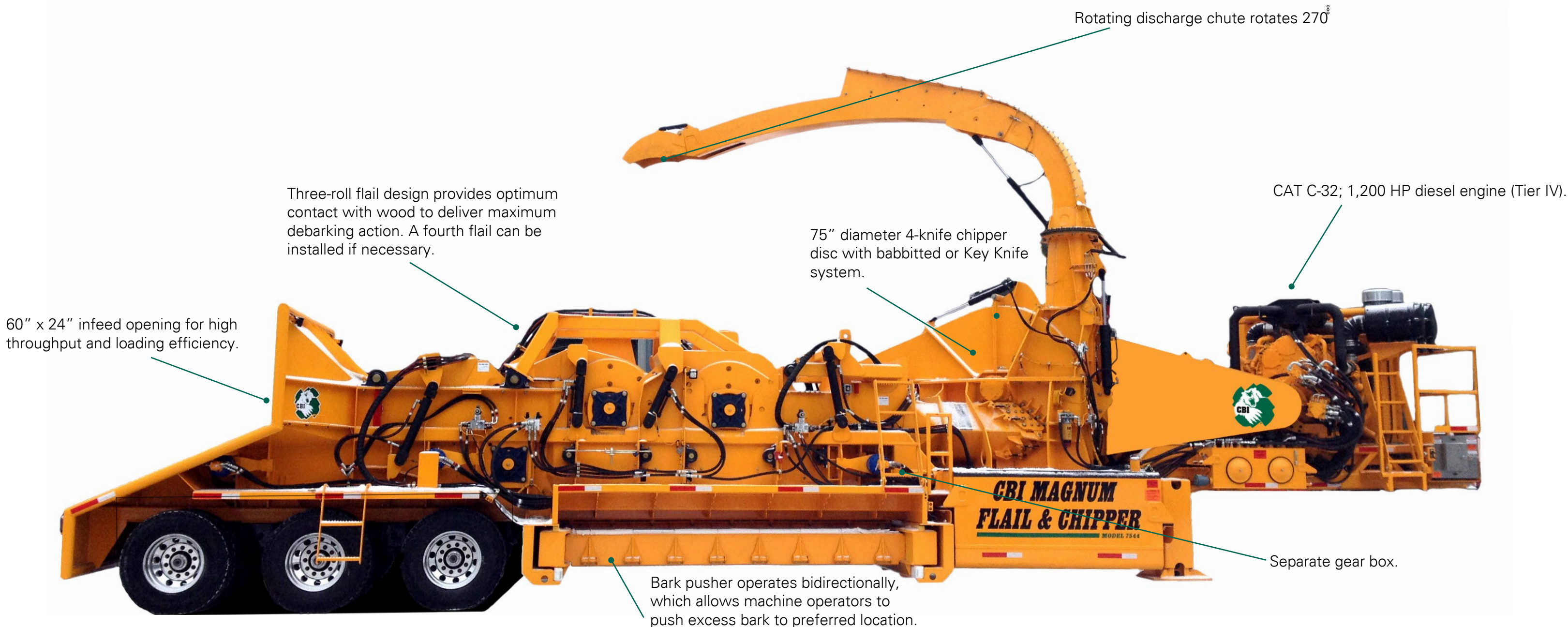
Disc Chipper 754 Unit

It is capable of producing high-quality wood chips from 3/8"-1" for the pulp and paper industry at up to 200 tons per hour. The 75" diameter 4-knife chipper disc is provided by Fulghum Industries, Inc., and delivers the most uniform chip thickness and chip length. Providing a continuous positive feed, the top feed roll is equipped with a high-torque Poclair internal drive and the bottom feed roll is equipped with a high-torque Brevini planetary drive, both designed for extended life and reduced maintenance.

The trash separator on the DC 754 discharges on the opposite side of the chip discharge, which allows for convenient side-by-side processing especially while chipping on road sides. The discharge chute folds hydraulically for transport and multi-angular chute work provides for the most chip trailer loading. The

complete chipper hood also opens hydraulically for easier servicing. The complete chipper housing is protected by bolt-in wear liners.

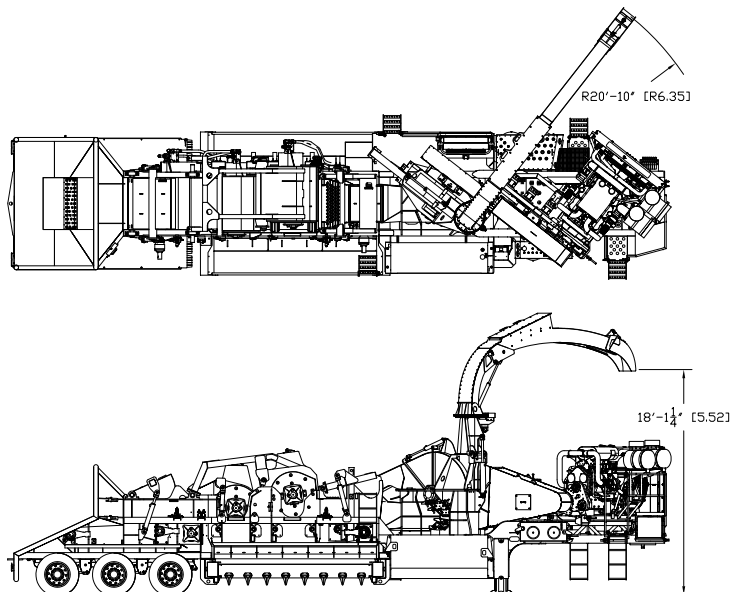
It is equipped with a 1,200 hp, CAT C-32 engine and comes with a PT Tech 15 PTO hydraulic clutch. Access to the engine from both sides simplifies maintenance. Additional features include an extra large AKG radiator for dusty and high ambient temperature operations, Flexaire auto-reversible fan, Donaldson air filtering system with Enginaire pre-cleaners, fire suppression (optional), emergency shutdown, and all-weather electrical control enclosures. The control system by Parker IQAN provides increased monitoring and protection. Radio remote control with full mechanical backup runs all functions of the chipper.



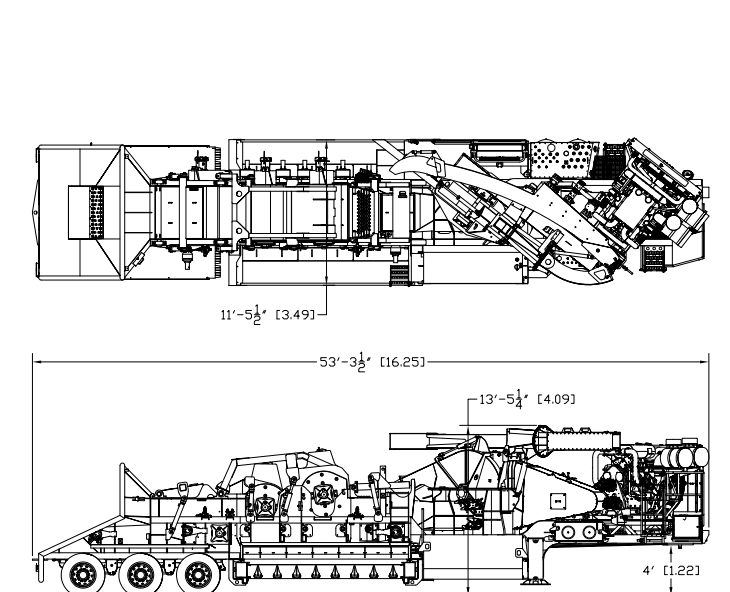
Machine Specifications

Overall		Power	
Length	53' 4" (16,256 mm)	Engine	CAT C-32; 1,200 HP
Width	11' 8" (3,556 mm)	Flexxaire Fan	Reversing pitch radiator fan that reverses airflow every 5-15 minutes automatically (adjustable)
Height	13' 6" (4,114 mm)		
Weight	108,000 lbs.		
Flail Drum		Chipper disc	
Width	44" (1,117 mm)	Length	75" 4-knife babbitted or Key Knife
Diameter	12" (304 mm)		Adjustable and easily replaceable anvils, upper and lower.
Chain	Single or double 9-link chain		
Speed	200-700 rpm	Chipper Drive	Arimid V belt
Flail Drive		Gearbox Drive	Arimid V belt
	Rexroth hydrostatic pumps, Rexroth motors, synchronous drives		
Top Feed Roll 1		Fuel Tank	
Width	33.1/4"	Capacity	500 gallons (1,892.71 liters)
Diameter	20.3/4"	Electrical	
Motor	Built-in high-torque Poclair		IQAN system with full remote control
Top Feed Roll 2			High intensity light package
Width	47.1/4"		Bi-directional bark pusher with rotating discharge chute, rotates 270°
Diameter	20.3/4"		
Motor	Built-in high-torque Poclair	Hydraulics	
Bottom Feed Rolls			Hydrostatic and open loop
	High-torque Brevini planetary with Char-Lynn hydraulic motor 220" (5,588 mm)		Flail hydraulics powered by auxilliary belt-driven gearbox
Throughput			Split hydraulic system, 200 gallon and 75 gallon resevoirs
	Up to 200 tons/hour (depending on wood type, species, level of debarking)		

OPERATION MODE



TRAVEL MODE



CBI videos on YouTube: www.youtube.com/user/cbimaterialrecovery

(603) 382-0556

www.cbi-inc.com



July 2016. The material in this document is for information only and is subject to change without notice. TEE assumes no liability resulting from errors or omissions in this document, or from the use of the information contained herein. Due to continual product development we reserve the right to change specifications without notice. Any product performance figures given in this brochure are for guidance purposes only. This information does not constitute an expressed or implied warranty or guarantee, but shows text examples provided. These results will vary depending on product settings, screen media and sizes, feed source and types of material being processed. Photographs are for illustrative purposes only. Some or all of the machines in the illustrations may be fitted with optional extra. Products and services listed may be trademarks, service marks or trade names of Terex Corporation and/or its subsidiaries in the USA and other countries. All rights reserved. Terex is a registered trademark of Terex Corporation in the USA and many other countries © 2016 Terex Corporation.