

CEDARAPIDS®
A TEREX BRAND

Terex® MPS
Portable Plants

CRC1150S
Closed Circuit Cone
& Screen Plant



A world working better™

 **TEREX® MPS**

Terex® MPS Portable Plants

CRC1150S Closed Circuit Cone & Screen Plant

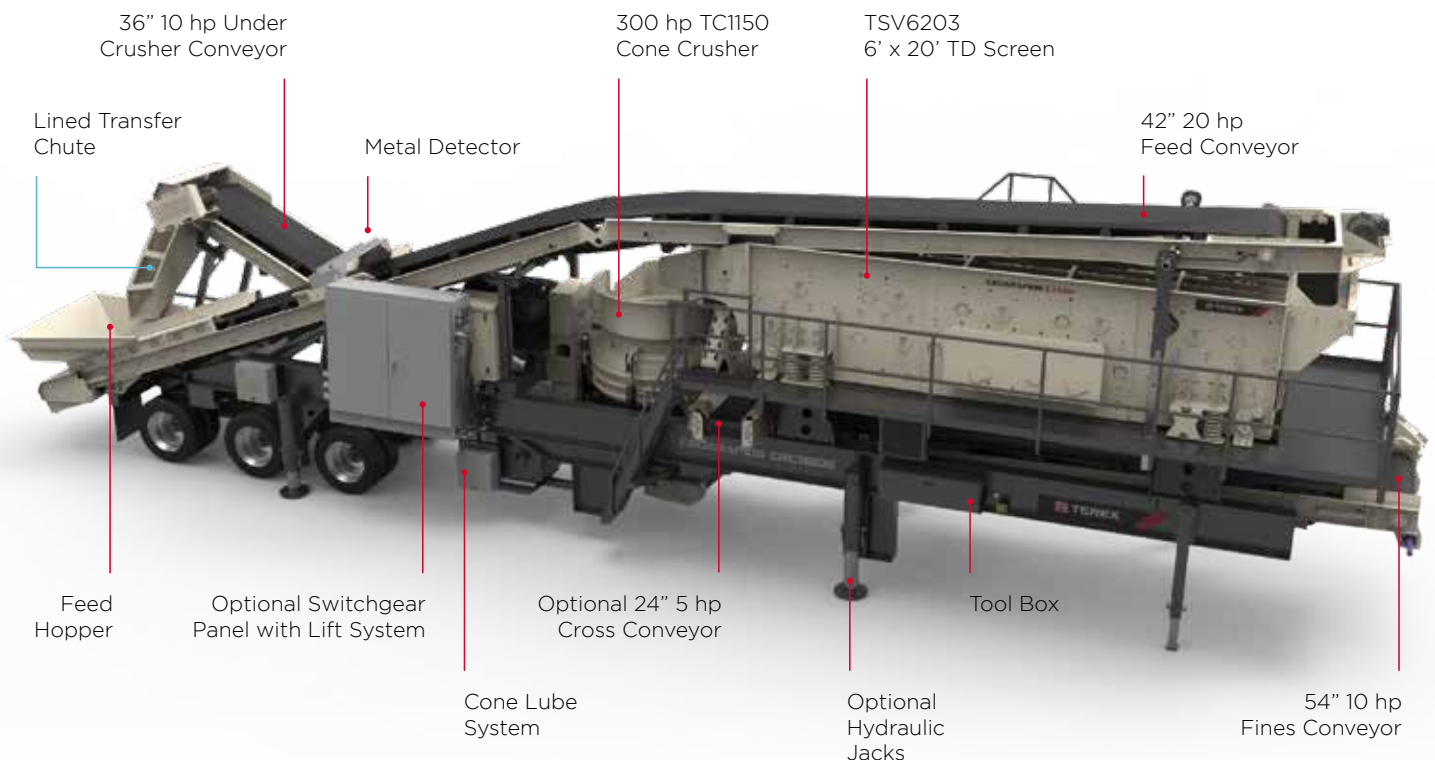
CRC1150S Plant Specifications

Highly Portable Triple Axle Plant

- Triple Axle Load = 58,500 lbs*
- King Pin Load = 52,300 lbs*
- Travel Height = 14'-0" (zero deg)
- Travel Width = 12'-0"

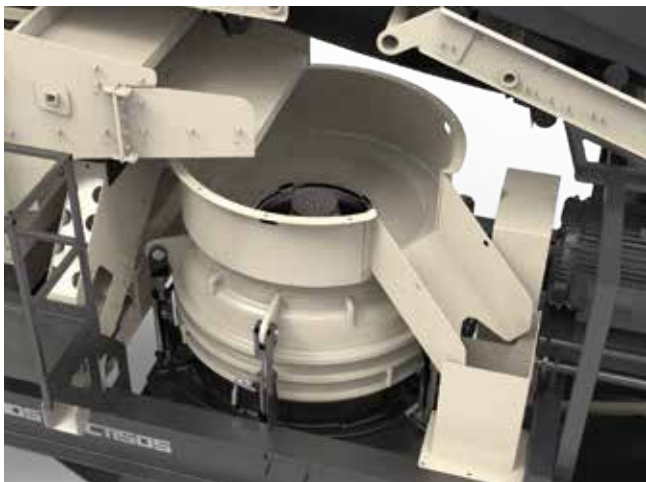
Cost Efficient, Sector Leading Technology.

- 300 hp tried and tested floating head design with efficient roller bearings
- Large feed size: Standard Medium Course 190mm (7.5"), Optional Extra Course 220mm (8.66")
- Large 65mm (2.55") stroke producing good product shape & high capacity
- "Hammer-less" Concave retention system (quick-safe)
- No Welding lift ears for mantle change improving safety
- Spiral bevel drive gear train for long life, smooth running, low noise
- 160mm (6.3") Tramp Clearance increasing protection
- Increased Clamp Hold Down Pressure allowing tighter settings
- Inspection ports through crusher frame for easy maintenance
- Metal detector on main feed conveyor



Options

- Electrical switchgear panel and hydraulic lift
- Hydraulic levelling, pinned run-on jacks or crank jacks (gas, 12v, 24v power unit)
- 24" mid plant cross conveyor
- Hydraulic feed conveyor lift - 2.5 deg screen lift
- Oversize tires
- Various power configurations (380v thru 575v, 50hz or 60hz)



TC1150 Cone

Cone Specifications

Approximate Component Weights & Basic Dimensions

Whole Crusher Dry Weight	14000 Kg	31,360 lbs
Upper Frame Assembly	4861 Kg	10,717 lbs
Cone Head Assembly	1770 Kg	3,902 lbs
Eccentric Assembly	1511 Kg	3,331 lbs
Countershaft Assembly	237 Kg	522 lbs
Main Frame Assembly	5356 Kg	11,808 lbs
Mantle Liner	610 Kg	1,345 lbs
Concave Medium Course	553 Kg	1,219 lbs
Concave Extra Course	524 Kg	1,155 lbs
Concave Fine	576 Kg	1,270 lbs

Maximum Feed Size

Extra Course Configuration	220mm	8.7"
Medium Course Configuration	190mm	7.5"
Fine Configuration	110mm	4.3"

Minimum Recommended CSS

Extra Course Configuration	25mm	1.0"
Medium Course Configuration	18mm	0.71"
Fine Configuration	12mm	0.47"



LJ-TSV6203 3 Deck Screen

North America

3900 Fountains Blvd NE, Suite 101
Cedar Rapids, IA 52411
Tel: +1 319 363 3511 or +1 800 821 5600
Fax: +1 319 399 4871

212 South Oak Street
Durand, MI 48429
Tel: +1 989 288 3121
Fax: +1 989 288 4113

Europe, Russia & Africa

Farlough Road, Dungannon
Northern Ireland. BT71 4DT
Tel: +44 (0) 28 8744 0795

Central Asia, Turkey & North Africa Region

Mehmet Akif Ersoy Mah.287.SkNo 1/D
06172 Yenimahalle - Ankara Turkey
Tel: +90 312 354 90 90

Australia

Melbourne & Victoria
133 Logis Boulevard
Dandenong South, VIC 3175
Tel: +61 3 8794 4100
Fax: +61 3 9706 7810

Sydney & New South Wales

114 Hassall Street
Wetherill Park, NSW 2164
Tel: +61 2 9604 6524
Fax: +61 2 9604 9368

Brisbane & Queensland

585 Curtin Avenue East
Eagle Farm, QLD 4009
Tel: +61 7 3630 0866
Fax: +61 7 3630 1097

Perth & Western Australia

4 Miles Road
Kewdale, WA 6105
Tel: +61 8 6254 4100
Fax: +61 8 9350 5534

India**South :- Hosur Plant**

Terex India Private Limited
E-18, Phase II, Expansion II,
Sipcot Industrial Complex
Hosur, Tamil Nadu 635109
Tel: + 91 4344 302 200
Fax: + 91 4344 302 201

North

Terex India Private Limited
907-908 9th Floor, Palm Spring Plaza,
Golf Course Road
DLF Phase 5, Sector 54, Gurugram - 122011 India

East

Terex India Private Limited
5th Floor Swastik Building
Nazrul Islam Avenue
Tegharia, Kolkata
West Bengal- 700059

West

Terex India Private Limited
5-129 5th Floor
Zenia Building, Hiranandani Circle
Hiranandani Business Park, Off Ghodbunder Road,
Thane Mumbai MH 400607

UAE**Middle East, East Africa, and SE Asia**

Office # 305, Pinnacle Building
Sheikh Zayed Road, Al Barsha 1, Dubai, UAE
Tel: +971 4 399 0381
Fax : +971 4 399 0382

Malaysia

Subang Jaya, Selangor, Malaysia
Contact: Mr. Benjamin Tong
Tel: +60(3) 5622 6103 or +60(3) 5622 6199
Fax : +60(3) 5631 6211

Thailand

777/1, Moo 7, Bangplee-Tumru Road,
Bangpleeyai, Bangplee, Samutprakarn,
10540, Thailand
Tel: +66 2 316 4656 or +66 2 316 4658
Fax: +66 2 316 4660

www.terexmps.com
mpsmarketing@terex.com

Product specifications and prices are subject to change without notice or obligation. The photographs and/or drawings in this document are for illustrative purposes only. Refer to the appropriate Operator's Manual for instructions on the proper use of this equipment.

Failure to follow the appropriate Operator's Manual when using our equipment or failure to act responsibly may result in serious injury or death.

The only warranty applicable to our equipment is the standard written warranty applicable to the particular product and sale, and Terex makes no other warranty, express or implied. Terex, the Terex Crown design, Cedarapids, Canica, Simplicity, Jaques, El-Jay and Rollercone are trademarks of Terex Corporation or its subsidiaries. All rights are reserved. ©August 2019

