

CRC380X PORTABLE CONE PLANT



Unit shown with the following options: oversized quick release cone surge hopper and overflow chute; electrical panel; triple axle; and hydraulic run-on jacks.

STANDARD FEATURES

- ▶ High efficiency MVP380X cone crusher with El-Jay Rollercone® roller bearing construction
- ▶ Single 300 hp (224 kW) crusher motor with easy adjust cone crusher drive
- ▶ Mesh cone hopper extension
- ▶ “Straight-line” undercrusher conveyor; 42" x 34'6" (1067 x 10,515 mm); 15 hp (11 kW)
- ▶ 3-ply conveyor belt with vulcanized belt splice
- ▶ Service platforms around crusher with guard rails and access ladder
- ▶ Easy maintenance features
 - Ratchet cone drive belt tensioning
 - Conveniently located grease banks
 - Ground access cone lubrication module
 - Large undercrusher hinged access panel
- ▶ Emergency stop buttons on both sides of frame
- ▶ Tandem axle spring suspension
- ▶ Eight 295/75 R22.5 tires
- ▶ Lockable 4' (102 mm) long side-mounted storage box

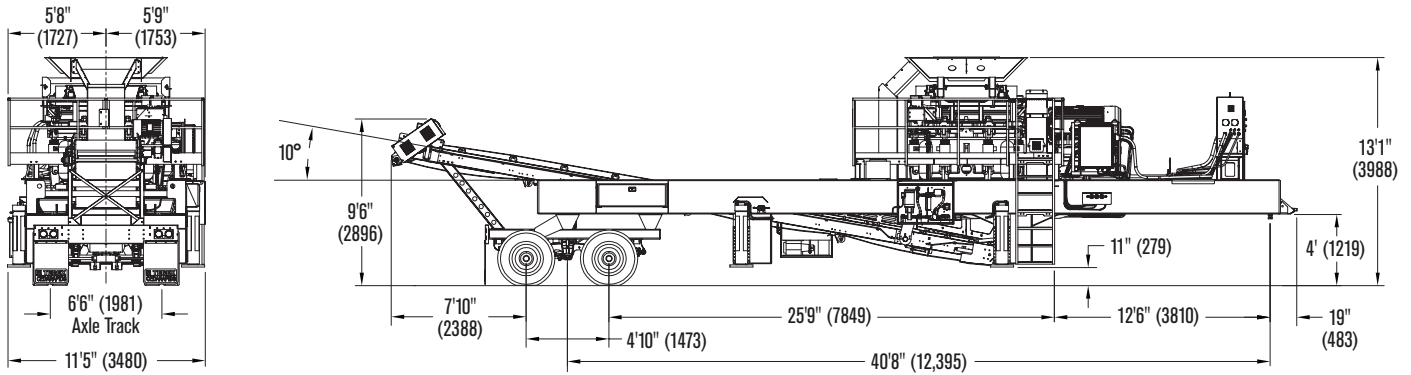
OPTIONAL EQUIPMENT

- ▶ Oversized quick release cone surge hopper
- ▶ Crusher overflow chute to undercrusher conveyor
- ▶ *Longer undercrusher conveyor with hydraulic adjust discharge; 42" x 45' (1067 x 13,716 mm); 15 hp (11 kW)
- ▶ *Feed conveyor with hydraulic positioning (LH or RH); 36" x 36' (914 x 10,973 mm); 15 hp (11 kW)
- ▶ Triple axle spring suspension with drop-down rear stabilizing legs
- ▶ Conveyor skirt boards
- ▶ Removable electrical switchgear panel with crusher soft start and push-button station
- ▶ Hydraulic leveling or run-on jacks (gas, 12V or 24V powered)
- ▶ Power cables and quick disconnects
- ▶ Oversize 315/80 R22.5 tires
- ▶ Dust suppression water spray system
- ▶ Flexco style belt wiper

*Requires triple axle option and hydraulic leveling or run-on jacks option

SPECIFICATIONS

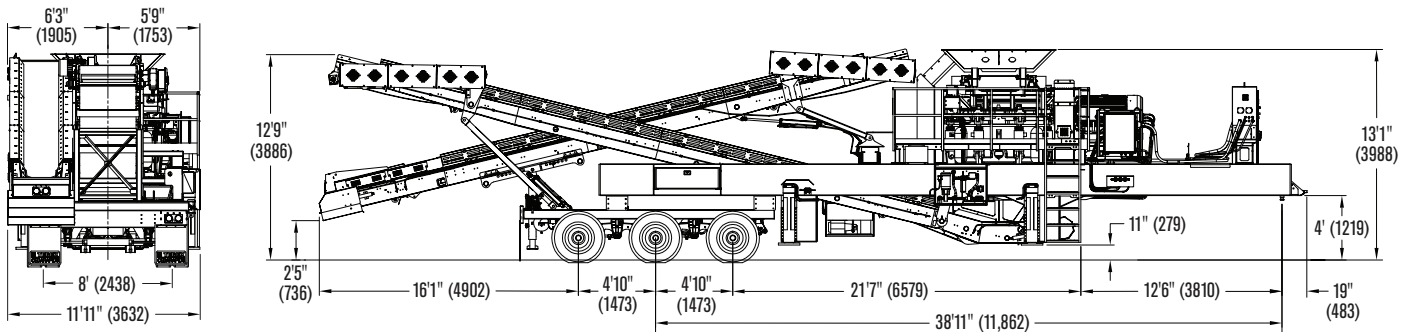
Terex® Minerals Processing Systems Cedarapids CRC380X Portable Cone Plant



Transport Position - Unit shown with the standard 34' 6" (10,515 mm) undercrusher conveyor and dual axle.

Options shown: oversized quick release cone surge hopper and overflow chute, belt wiper, electrical panel and hydraulic run-on jacks.

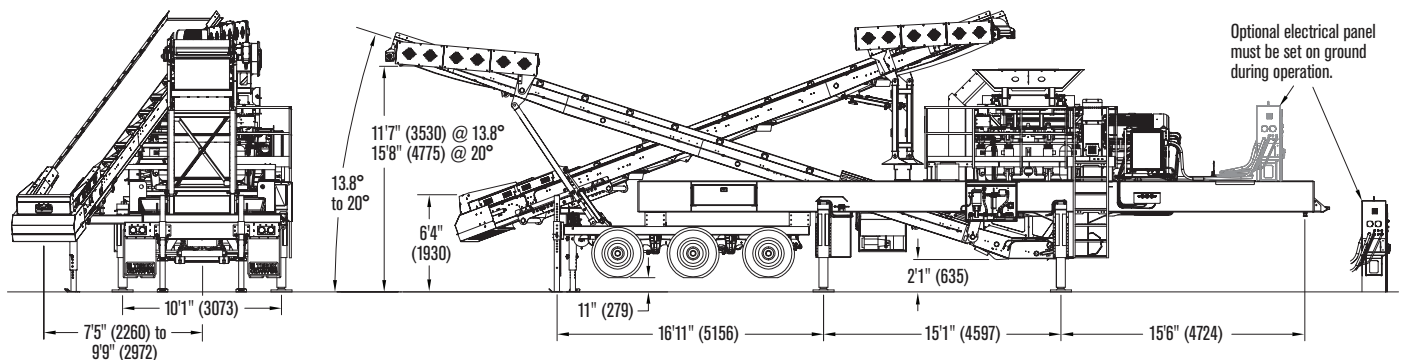
Total Weight: 79,047 lbs (35,856 kg); Kingpin: 41,614 lbs (18,876 kg); Rear Axle: 37,433 lbs (16,980 kg); Weights include the options shown.



Transport Position - Unit shown with the following options: left-hand feed conveyor, 45' (13,716 mm) undercrusher conveyor, triple axle,

oversized quick release cone surge hopper and overflow chute, electrical panel, hydraulic run-on jacks, conveyor skirt boards and belt wipers.

Total Weight: 93,152 lbs (42,254 kg); Kingpin: 39,848 lbs (18,075 kg); Rear Axle: 53,304 lbs (24,179 kg); Weights include the options shown.



Operating Position - Unit shown with the following options: left-hand feed conveyor (right-hand feed conveyor also available), triple axle,

45' (13,716 mm) undercrusher conveyor, belt wipers, oversized cone surge hopper and overflow chute, electrical panel and hydraulic run-on jacks.

www.terexmps.com

Effective Date: February 2014. Product specifications and prices are subject to change without notice or obligation. The photographs and/or drawings in this document are for illustrative purposes only. Refer to the appropriate Operator's Manual for instructions on the proper use of this equipment. Failure to follow the appropriate Operator's Manual when using our equipment or to otherwise act irresponsibly may result in serious injury or death. The only warranty applicable to our equipment is the standard written warranty applicable to the particular product and sale and Terex makes no other warranty, express or implied. All rights are reserved. Terex, the Terex Crown, Works For You, Cedarapids and other marks are trademarks licensed or owned by Terex Corporation or its subsidiaries. © 2014 Terex Minerals Processing Systems.

Terex® Minerals Processing Systems, 909 17th Street NE, Cedar Rapids, IA 52402 USA
Tel +1 319 363 3511 Fax +1 319 399 4871 www.terexmps.com

Form 25848 (2/14)



WORKS FOR YOU.