

CRC450X PORTABLE CONE PLANT



Unit shown with the following options: right-hand feed conveyor; 45' (13,716 mm) undercrusher conveyor; oversized quick release cone surge hopper and overflow chute; electrical panel; hydraulic run-on jacks; conveyor skirt boards and belt wipers.

STANDARD FEATURES

- ▶ High efficiency MVP450X cone crusher with ElJay[®] Rollercone[®] roller bearing construction
- ▶ Single 400 hp (296 kW) crusher motor with easy adjust cone crusher drive
- ▶ Mesh cone hopper extension
- ▶ "Straight-line" undercrusher conveyor; 42" x 34'6" (1067 x 10,515 mm); 15 hp (11 kW)
- ▶ 3-ply conveyor belt with vulcanized belt splice
- ▶ Service platforms around crusher with guard rails and access ladder
- ▶ Easy maintenance features
 - Ratchet cone drive belt tensioning
 - Conveniently located grease banks
 - Ground access cone lubrication module
 - Large undercrusher hinged access panel
- ▶ Emergency stop buttons on both sides of frame
- ▶ Triple axle spring suspension
- ▶ Drop-down rear stabilizing legs
- ▶ Twelve 295/75 R22.5 tires
- ▶ Lockable 4' (102 mm) long side-mounted storage box

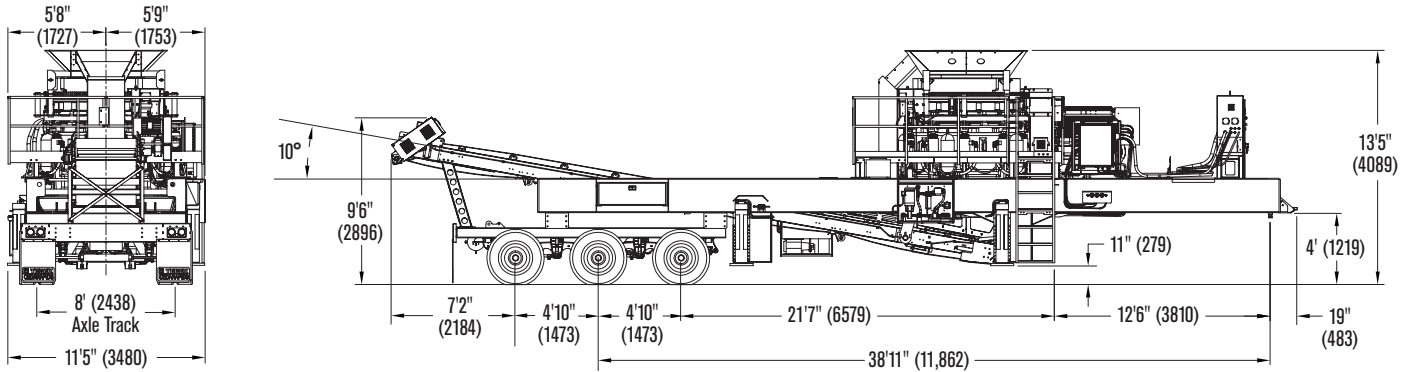
OPTIONAL EQUIPMENT

- ▶ Oversized quick release cone surge hopper
- ▶ Crusher overflow chute to undercrusher conveyor
- ▶ *Longer undercrusher conveyor with hydraulic adjust discharge; 42" x 45' (1067 x 13,716 mm); 15 hp (11 kW)
- ▶ *Feed conveyor with hydraulic positioning (LH or RH); 36" x 36' (914 x 10,973 mm); 15 hp (11 kW)
- ▶ Conveyor skirt boards
- ▶ Removable electrical switchgear panel with crusher soft start and push-button station
- ▶ Hydraulic leveling or run-on jacks (gas, 12V or 24V powered)
- ▶ Power cables and quick disconnects
- ▶ Oversize 315/80 R22.5 tires
- ▶ Dust suppression water spray system
- ▶ Flexco style belt wiper

*Requires hydraulic leveling or run-on jacks option

SPECIFICATIONS

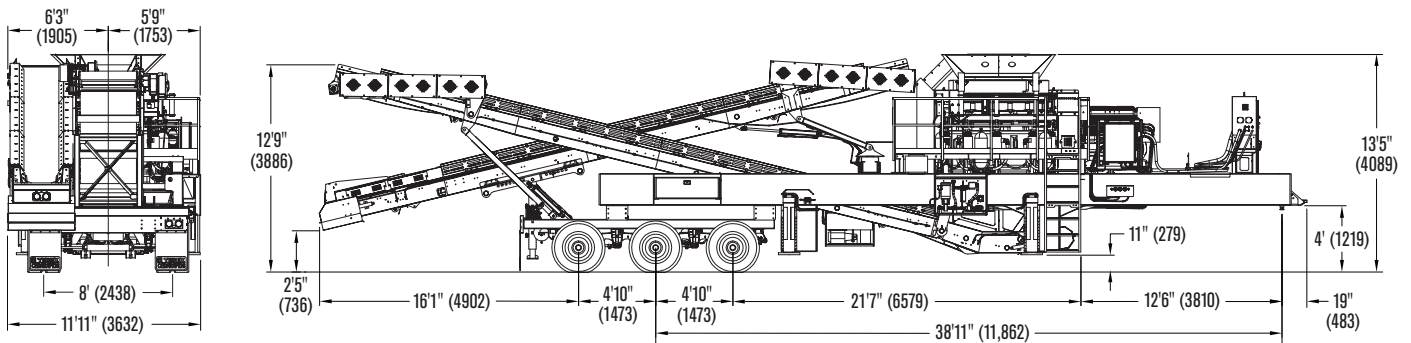
Terex® Minerals Processing Systems Cedarapids CRC450X Portable Cone Plant



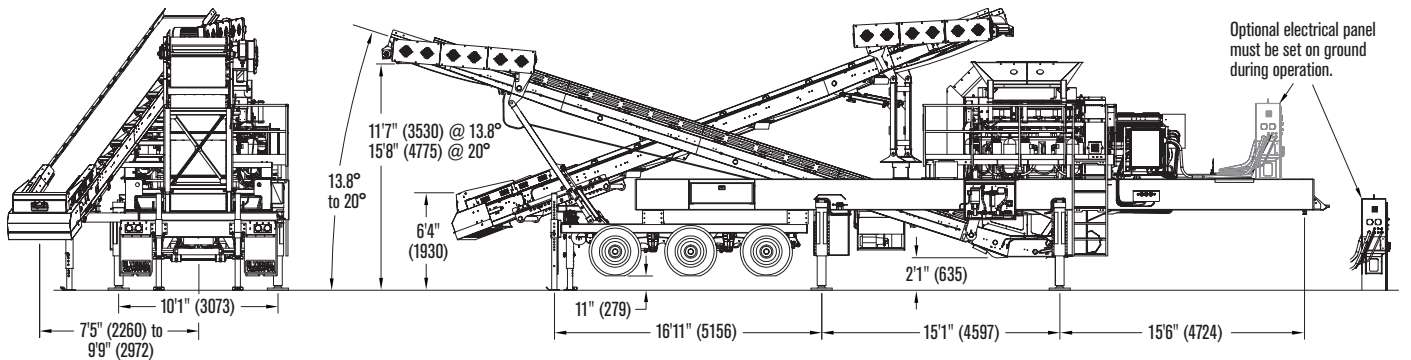
Transport Position - Unit shown with the standard 34'6" (10,515 mm) undercrusher conveyor.

Options shown: oversized quick release cone surge hopper and overflow chute, belt wiper, electrical panel and hydraulic run-on jacks.

Total Weight: 92,697 lbs (42,048 kg); Kingpin: 45,587 lbs (20,678 kg); Rear Axle: 47,110 lbs (21,370 kg); Weights include the options shown.



Transport Position - Unit shown with the following options: left-hand feed conveyor, 45' (13,716 mm) undercrusher conveyor, oversized quick release cone surge hopper and overflow chute, electrical panel, hydraulic run-on jacks, conveyor skirt boards and belt wipers. Total Weight: 103,628 lbs (47,006 kg); Kingpin: 45,563 lbs (20,667 kg); Rear Axle: 58,065 lbs (26,339 kg); Weights include the options shown.



Operating Position - Unit shown with the following options: left-hand feed conveyor (right-hand feed conveyor also available), 45' (13,716 mm) undercrusher conveyor with skirt boards, belt wipers, oversized cone surge hopper and overflow chute, electrical panel and hydraulic run-on jacks.

www.terexmps.com

Effective Date: August 2012. Product specifications and prices are subject to change without notice or obligation. The photographs and/or drawings in this document are for illustrative purposes only. Refer to the appropriate Operator's Manual for instructions on the proper use of this equipment. Failure to follow the appropriate Operator's Manual when using our equipment or to otherwise act irresponsibly may result in serious injury or death. The only warranty applicable to our equipment is the standard written warranty applicable to the particular product and sale and Terex makes no other warranty, express or implied. Products and services listed may be trademarks, service marks or trade-names of Terex Corporation and/or its subsidiaries in the USA and other countries. All rights are reserved. Terex is a registered trademark of Terex Corporation in the USA and many other countries. © 2012 Terex Corporation.

Terex® Minerals Processing Systems, 909 17th Street NE, Cedar Rapids, IA 52402 USA
Tel +1 319 363 3511 Fax +1 319 399 4871 www.terexmps.com

Form 25849 (8/12)



WORKS FOR YOU.