

CRH1316 PORTABLE HSI PLANT



Note: Unit shown with optional electrical panel and hydraulic leveling jacks.

STANDARD FEATURES

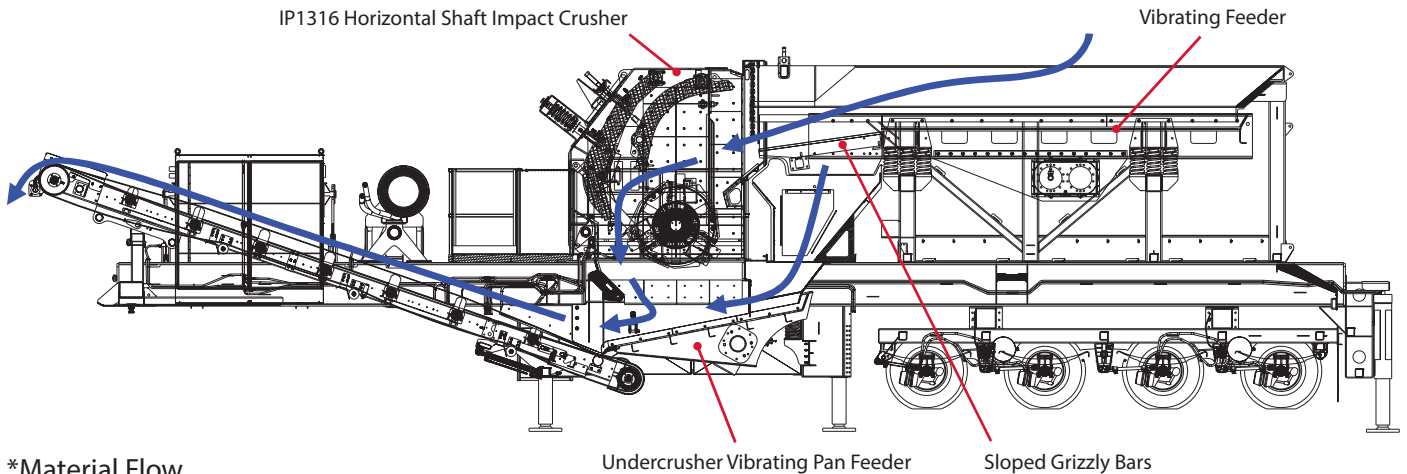
- ▶ IP1316 Horizontal Shaft Impact crusher
 - Single 400 hp (300 kW) crusher motor
 - Belt drive maintenance access panels
 - Hydraulically opened frame
 - High strength high inertia rotor with patented center pull wedge system
 - Hydraulic assist apron adjustment
 - Large unobstructed crusher feed and discharge
- ▶ Gas hydraulic power unit for crusher open and curtain adjust
- ▶ Removable feed hopper module with 3/4" (19mm) AR400 sides
- ▶ Vibrating grizzly feeder; 52" x 20' (1321 x 6096 mm); 40 hp (30 kW)
 - Sloped 5' (1524 mm) long bolt-in adjustable grizzly bars
- ▶ Feed chute chain curtain
- ▶ Undercrusher vibrating pan feeder with AR400 liners; 48" x 96" (1219 x 2438 mm); two 5 hp (3.7 kW) motors
- ▶ "Straight-line" discharge conveyor with hydraulic slide for travel and primary style belt wiper; 60" (1524 mm); 20 hp (15 kW)
- ▶ 3-ply conveyor belt with vulcanized splice
- ▶ Bypass chute diverts grizzly fines to undercrusher pan feeder or optional reject cross conveyor
- ▶ Service platforms with guard rails and access ladder
- ▶ Easy maintenance features including:
 - Conveniently located grease banks
 - Belt tension access panels and hinged guards
- ▶ Lockable 4' (102 mm) long side mounted storage box
- ▶ Removable under frame mounted quad axle spring suspension, air brakes, travel lights, and splash guards
- ▶ Adjustable kingpin support legs
- ▶ Emergency stop buttons on both sides of frame
- ▶ Sixteen 295/75 R22.5 tires

OPTIONAL EQUIPMENT

- ▶ Removable electrical switchgear panel with crusher soft start and push-button station
- ▶ Electrical panel hydraulic lift system
- ▶ Power cables and quick disconnects
- ▶ Tethered or wireless remote control for feeder
- ▶ Grizzly reject cross conveyor, 30" (762mm), 7.5 hp (6kW)
- ▶ Recirculating chute
- ▶ Dust suppression water spray system
- ▶ Hydraulic leveling or run-on jacks (power from crusher gas powered hydraulic unit)
- ▶ Hinged hopper extensions with locking supports accessible from the ground, optional hydraulic
- ▶ Self-cleaning magnet on discharge conveyor
- ▶ 3+1 (triple + tag) axles
- ▶ Long wheel base quad axle
- ▶ Oversize 315/80 R22.5 tires

SPECIFICATIONS

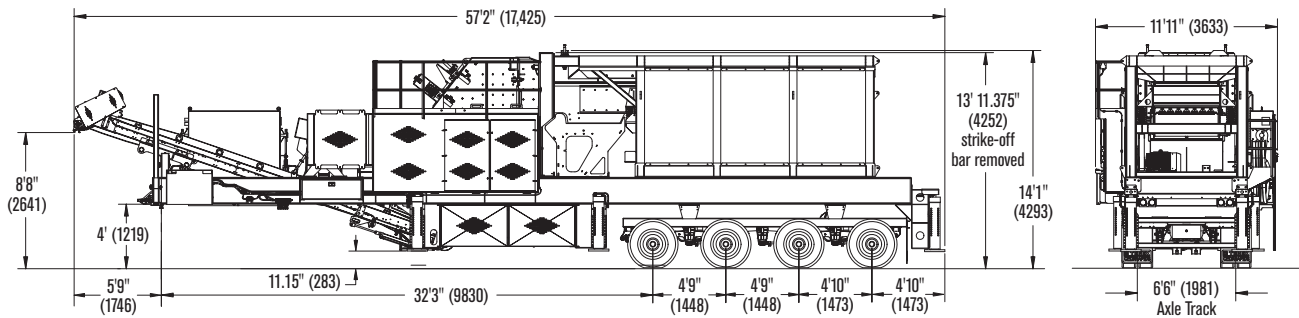
Terex® Minerals Processing Systems Cedarapids CRH1316 Portable HSI Plant



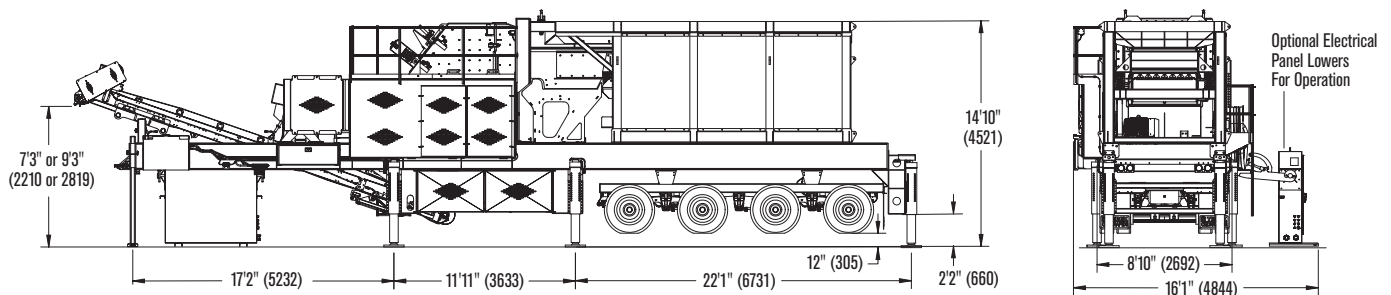
*Material Flow

*Unit shown with optional electrical panel and hydraulic run-on jacks.

Weights include the above options. Total Weight: 121,050 lbs (54,910 kg); Kingpin: 43,650 lbs (19,800 kg); Rear Axle: 77,400 lbs (35,110 kg)



*Transport



*Operational

www.terexmps.com

Effective Date: April 2016. Product specifications and prices are subject to change without notice or obligation. The photographs and/or drawings in this document are for illustrative purposes only. Refer to the appropriate Operator's Manual for instructions on the proper use of this equipment. Failure to follow the appropriate Operator's Manual when using our equipment or failure to act responsibly may result in serious injury or death. The only warranty applicable to our equipment is the standard written warranty applicable to the particular product and sale and Terex makes no other warranty, express or implied. Terex, the Terex Crown design, Works For You, and Cedarapids are trademarks of Terex Corporation or its subsidiaries. All rights are reserved. © 2015 Terex Minerals Processing Systems.

Terex® Minerals Processing Systems • Email MPSales@terex.com • www.terexmps.com
 Europe, Russia, Africa +44 (0) 288 740 795 • Central Asia, Turkey, Northern Africa +90 312 354 90 90
 Middle East, Eastern Africa, Southeastern Asia +971 4 399 0381 • India +91 4344 302 000 • Malaysia +60 3 5622 6103
 Thailand +66 2 316 4656 • Australia +61 3 8551 9300 • North and South America +1 319 363 3511

Form 25851 4/16



WORKS FOR YOU.™