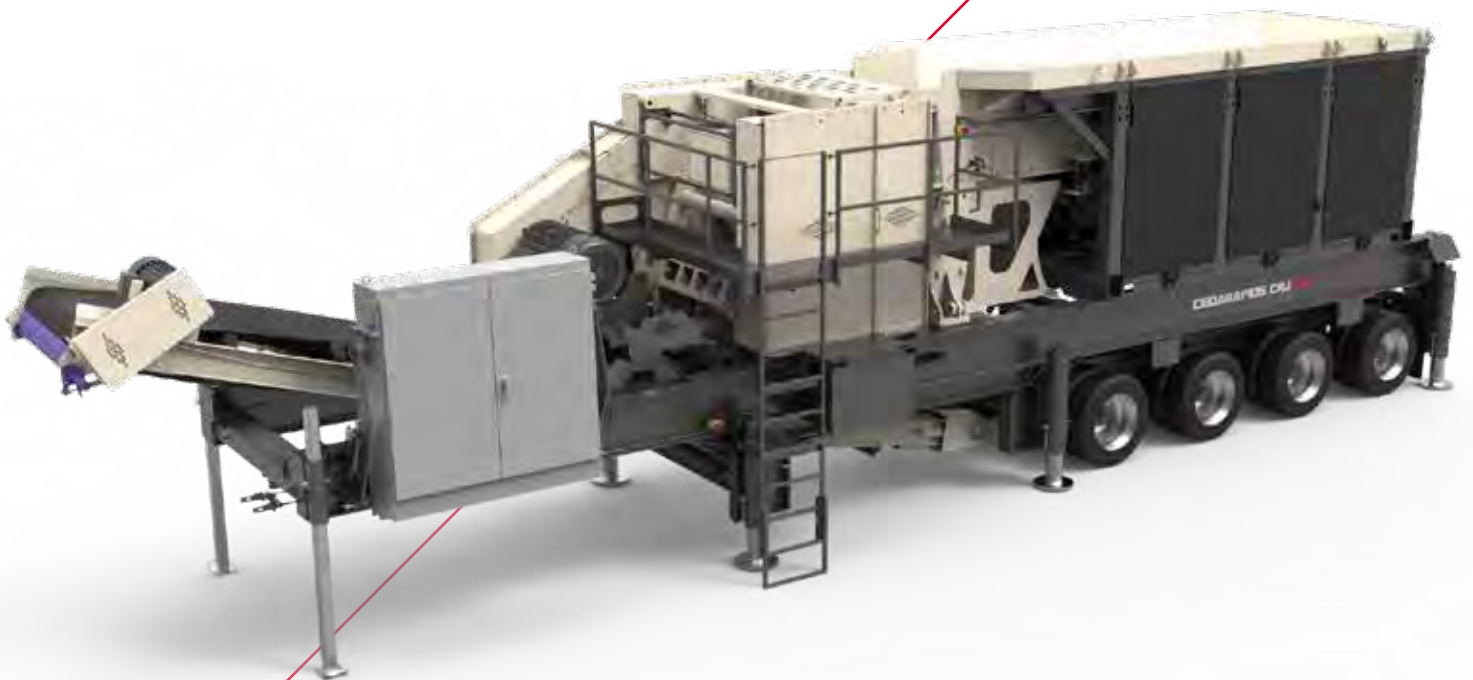


**CEDARAPIDS®**  
A TEREX BRAND

Cedarapids®  
Portable Plants

CRJ3255 Jaw Plant



A world working better™

 **TEREX** MPS

# Cedarapids® Portable Plants

## CRJ3255 Jaw Plant

The Cedarapids CRJ3255 jaw plant combines the popular JW55 jaw crusher with the high stroke 52"x20' vibrating grizzly feeder making this plant a high production portable crushing machine. This quarry duty JW55 crusher, with its large 32"x55" opening, long jaws, and aggressive stroke, is in a class by itself in a portable crushing plant. Besides high production, the crusher has a modern hydraulic wedge adjustment and tension rod system making adjustments quick and safe. The action of the large stroke feeder provides high feed rates along with efficient fines separation on the grizzly section. The wide belt conveyor has large clearance below the crusher and is a straight line design without curves so the belt can maintain maximum tension, minimizing drive slippage. The conveyor also has a heavy duty shock absorbing impact bed under the jaw and continuously supported side flashing along its diverging hopper to minimize spillage and maintenance. Multiple options are available so customers can configure the CRJ3255 plant to their specific needs.

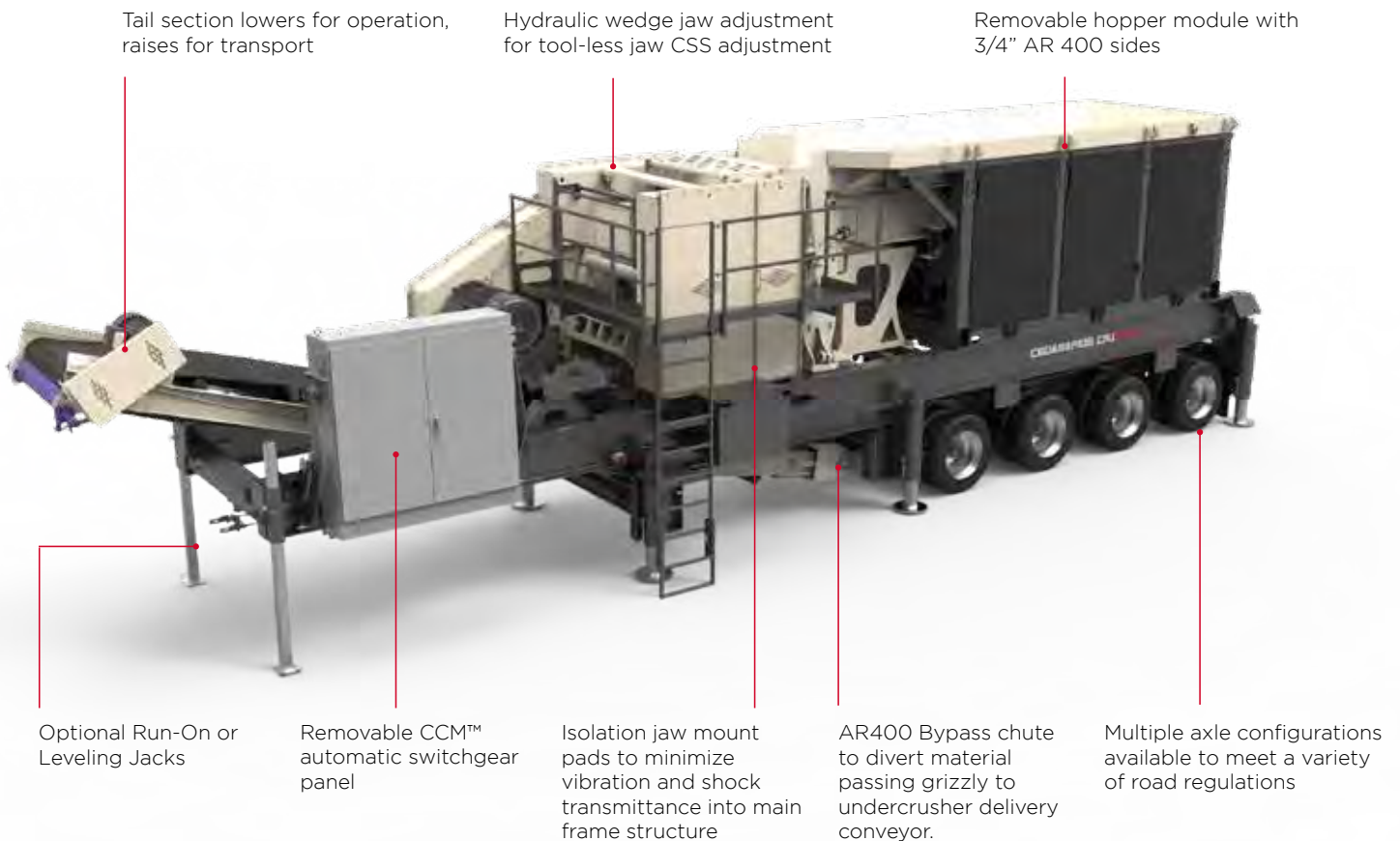
### Standard Features

#### JW55 Jaw Crusher

- Tool-less hydraulic wedge jaw adjustment for quick safe adjustment
- Hydraulic tension rod automatically adjusts tension
- Electric/hydraulic adjust unit
- Quick change jaw die wedge system
- Side access to stationary die wedges
- High strength frame
  - Four-piece bolted and dowelled construction
- Bolted 3-piece side cheek plates for easy replacement

#### 5220-15 Vibrating Grizzly Feeder

- Removable hopper module with 3/4" (19 mm) AR 400 sides, minimizes axle loads when needed
- High stroke grizzly feeder, for improved grizzly fines removal
- Bolt-in grizzly bars with 4" (102 mm) nominal opening, other spacings available
- Bypass chute diverts grizzly fines to undercrusher conveyor
- Rubber side curtains



## Undercrusher Conveyor

- Tail section lowers for operation, raises for transport
- Straight-line conveyor design keeps belts tight (no slippage)
- Adjustable discharge height to fit transfer
- Shaft mount gear box and TEFC motor
- Impact bars under jaw and grizzly bypass
- 3-ply conveyor belt with vulcanized splice

## Main Frame with Quad Axle

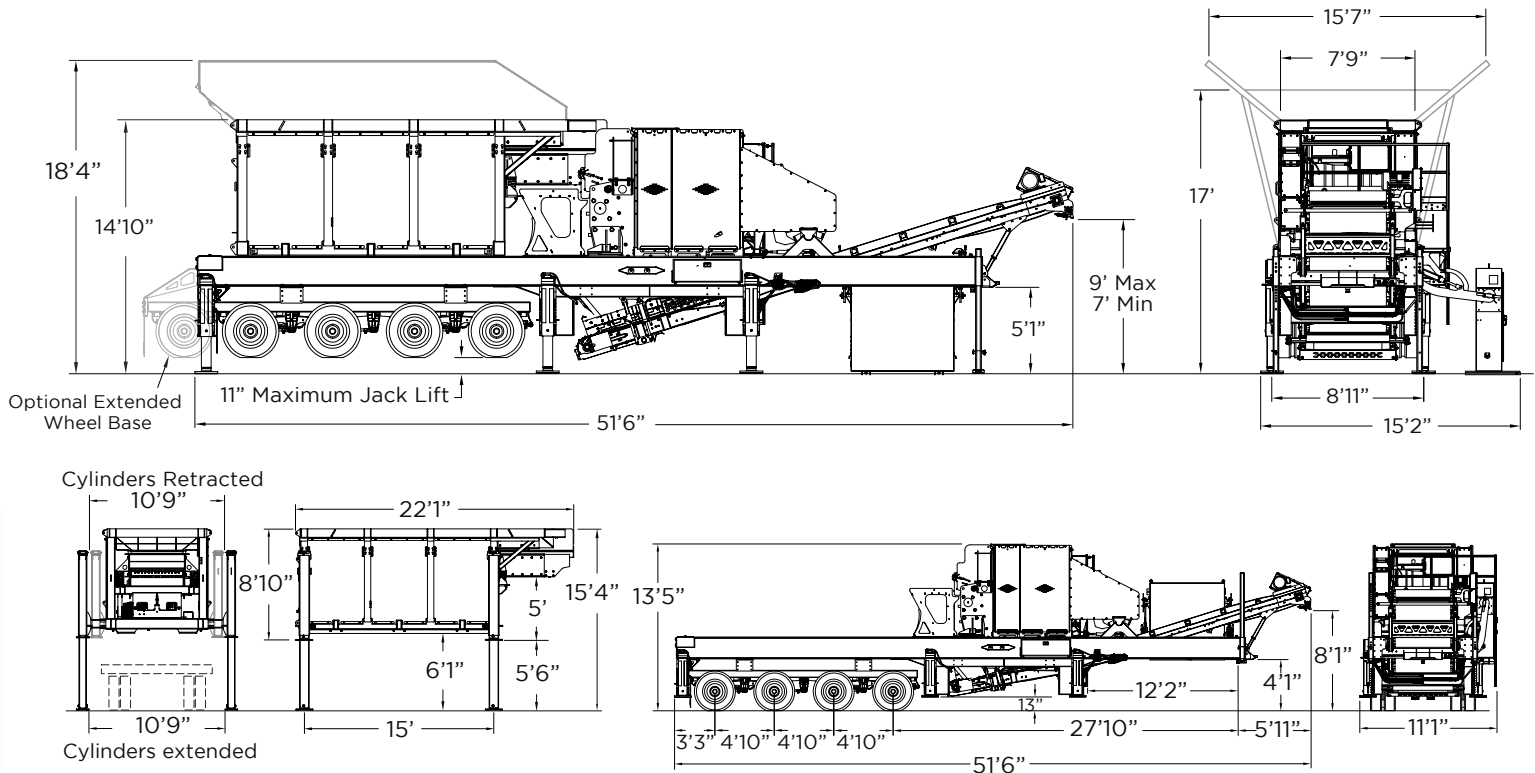
- Straight beam chassis with kingpin, under-frame mounted axles, spring suspension, air brakes, travel lights and splash guards
- Jaw mount vibration isolation pads
- Emergency stops on both sides of chassis
- Sixteen 295/75 R22.5 tires
- Adjustable kingpin support legs
- Service and observation platforms
- Remote grease lines for safe maintenance
- Lockable side-mounted storage box
- Crank style landing jacks

Estimated weights*	Axles	Kingpin	Total
Standard wheel base plant (feeder module removed)	58,845 lbs (26695 kg)	47,720 lbs (21645 kg)	106,565 lbs (48340 kg)
20' Hopper module (1)			28,590 lbs (12970 kg)
Optional extended wheel base plant with feeder module (1)	79,030 lbs (35850 kg)	56,555 lbs (25655 kg)	135,585 lbs (61500 kg)
Optional Diesel Driven plant (1)	79,758 lbs (36178 kg)	56,731 lbs (25733 kg)	136,489 lbs (61910 kg)

Power Requirements	hp	kW
Jaw	200	150
Feeder	40	30
Undercrusher conveyor	20	15
Extended undercrusher conveyor (optional)	25	19
Cross conveyor (optional)	7.5	5.6
Self-cleaning magnet (optional)	1.5	1
Dust suppression pump (optional)	0.75	0.5

\* Weights include optional switchgear and hydraulic jacks  
Consult the factory for weights of other optional equipment.  
(1) 20' hopper included, no extensions

## Transport and Working Dimensions



Feeder module shown with optional hydraulic lift system.

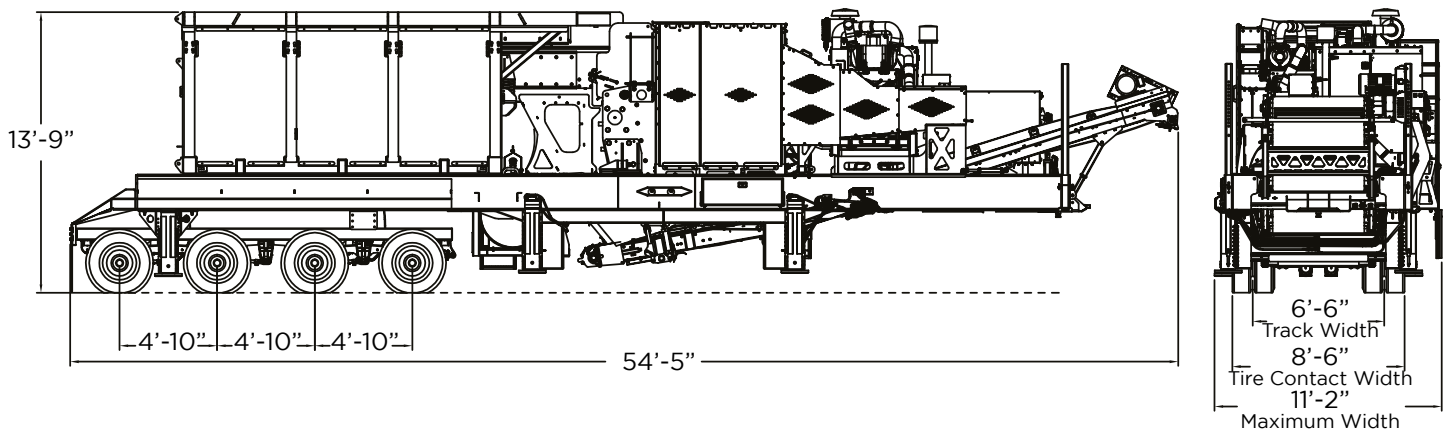
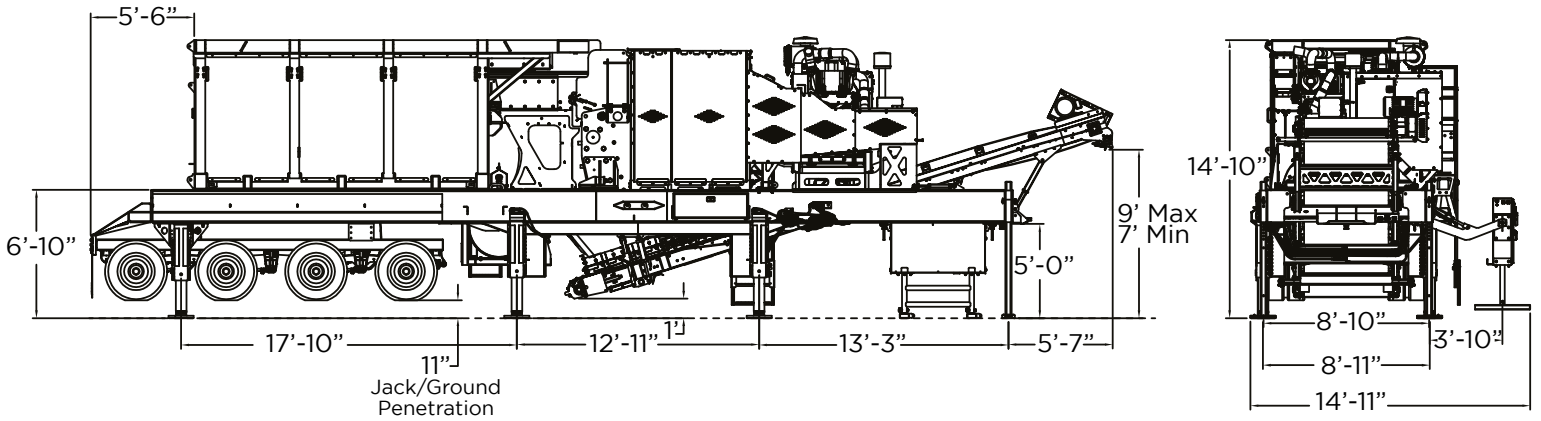
\* Weights include optional switchgear, jacks and hydraulics.  
Contact factory for weights of other optional equipment.

## Optional Equipment

- Alternate axle configurations:
  - 3 axle spring suspension
  - 4 axle with extended wheelbase
  - 4 axle with extended wheelbase and 67" spacing
  - 3+1 spring suspension (tag and single pivot frame)
- Diesel generator powered
- Removable electrical switchgear panel, wiring and operator push-button station, hydraulic panel lift system
- Tethered or wireless remote feeder control
- Hydraulic feeder module lift system, no crane required to remove feeder module
- Hinged, 12'2" (3708mm) or 15'7" (4750mm) wide hopper wings with manual or hydraulic operation and ground access locking supports
- Grizzly reject cross conveyor
- Various grizzly bar spacing
- Extended length undercrusher conveyor with hydraulic fold
- Dust suppression water spray system
- Cross belt self-cleaning magnet
- Hydraulic leveling or run-on jacks (gas, 12V, or 24V in hinged enclosure) in place of crank landing jacks
- Hydraulic conveyor tail lift
- Oversize 315/80 R22.5 tires
- 24' feeder in place of 20' feeder



Transport and Working Dimensions - Diesel Option





# Cedarapids® Services

## Proven Success, Global Reach

A comprehensive range of services. Original spare and wear parts. Customizable solutions to meet your exact needs. Outstanding technical expertise and support.

This is what Cedarapids® delivers to businesses – and what it delivers to businesses throughout the world via our global distribution network, service and distribution facilities and regional warehouses.

## Spare and Wear Part Support

Our OEM parts help maintain and enhance the performance of your equipment – and you can count on us to get you the spare and wear parts you need, when you need them.

Cedarapids® parts are manufactured according to exact specifications, using high-quality materials, tools and techniques. By using genuine parts you are helping to ensure the maximum performance and longevity of your machines.

## A Shared Focus


We understand your key focus is delivering your operational and financial goals. We share that focus: it's how we both measure success.

By combining our global service network and proven, in-depth industry knowledge with your operational expertise we're able to provide you with the right solution to deliver a quality end product – with increased productivity.

## Field Services

We offer a comprehensive set of field services to meet your maintenance, repair and refurbishment needs – which means you get a cost-effective alternative to purchasing new or replacement equipment.

Our experienced field service and distribution network are available to you on site or at our global service facilities. We can repair broken or damaged equipment to like-new condition and restore worn or irreplaceable equipment to perfect operating condition – which minimizes costly downtime for you.



Combining our global service network and deep industry knowledge with your operational expertise ensures that we provide the best solutions...

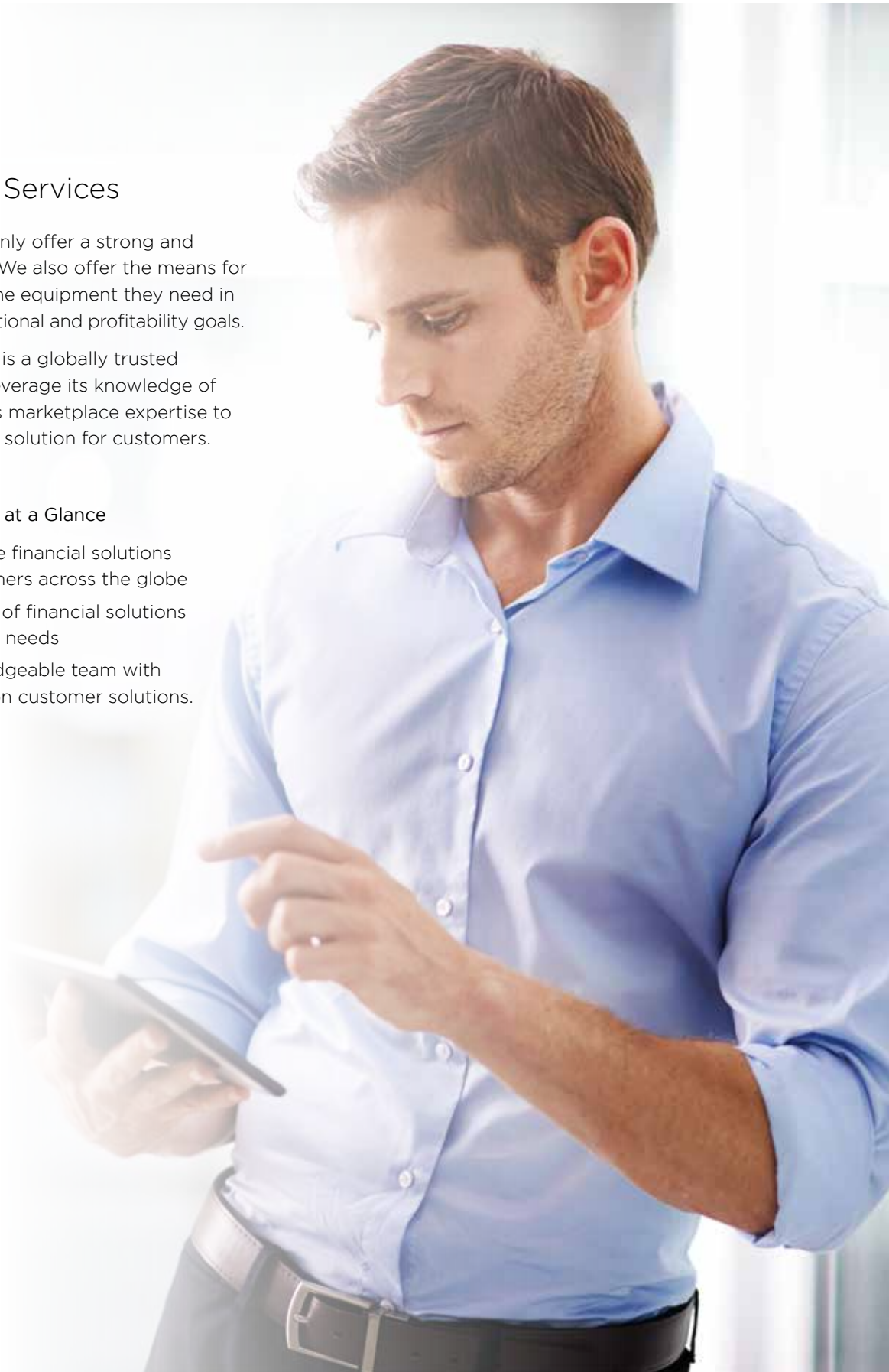
## Terex® Financial Services

At Cedarapids® we not only offer a strong and broad product portfolio. We also offer the means for customers to purchase the equipment they need in order to meet their operational and profitability goals.

Terex® Financial Services is a globally trusted resource that is able to leverage its knowledge of Terex® equipment plus its marketplace expertise to provide a unique tailored solution for customers.

### Terex® Financial Services at a Glance

- Providing cost-effective financial solutions to thousands of customers across the globe
- A comprehensive suite of financial solutions tailored to fit individual needs
- Dedicated and knowledgeable team with global reach, focused on customer solutions.





[www.terexmps.com](http://www.terexmps.com)  
[mpsmarketing@terex.com](mailto:mpsmarketing@terex.com)

Product specifications and prices are subject to change without notice or obligation. The photographs and/or drawings in this document are for illustrative purposes only. Refer to the appropriate Operator's Manual for instructions on the proper use of this equipment.

Failure to follow the appropriate Operator's Manual when using our equipment or failure to act responsibly may result in serious injury or death.

The only warranty applicable to our equipment is the standard written warranty applicable to the particular product and sale, and Terex makes no other warranty, express or implied. Terex, the Terex Crown design, Cedarapids, Canica, Simplicity, Jaques, El-Jay and Rollercone are trademarks of Terex Corporation or its subsidiaries. All rights are reserved. ©March 2020

