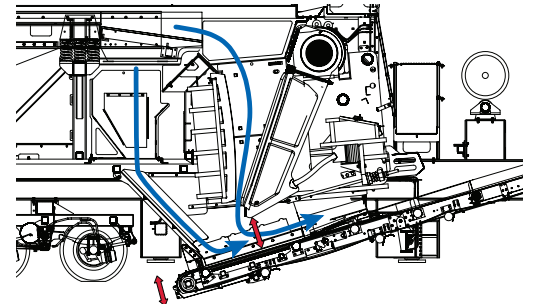


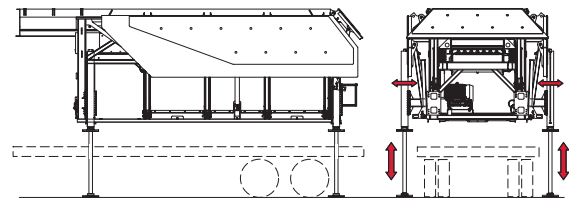
CRJ3750 PORTABLE JAW PRIMARY PLANT

Features and Benefits

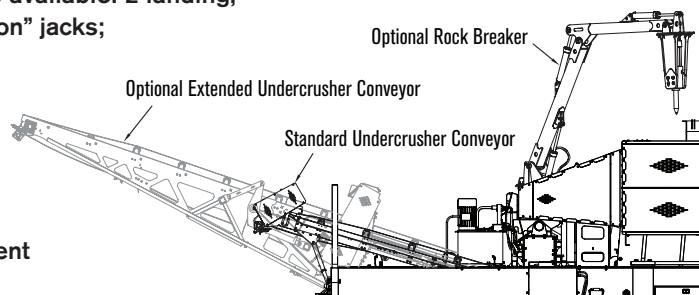
- ▶ Highly mobile plant with large 37" x 50" (940 x 1270 mm) feed opening; 250 hp (186 kW) JS3750 jaw crusher and 52" x 20' (1321 x 6096 mm) high-stroke vibrating grizzly feeder with 3/4" (19 mm) AR hopper to handle severe crushing applications
- ▶ Optional hydraulic feeder module lift system allows quick and safe removal of the hopper module without a crane; lift legs raise and lower the module for loading to a flatbed trailer for easy transport
- ▶ Numerous maintenance and safety features include jaw die lift provisions, tool-free ratchet motor drive adjustment, conveniently located remote grease banks, folding safety rails
- ▶ Straight-line undercrusher conveyor design reduces slippage; mechanical raise/lower system lowers tail section for maximum undercrusher clearance, raises tail section for ease of clean-up, unit locks into raised position for travel
- ▶ Hydraulic raise/lower switchgear panel system isolates panel from vibration during operation; easily raises and lowers to ground
- ▶ Optional extended undercrusher conveyor allows 15' (4572 mm) height to bottom of head pulley (hydraulic legs extended); folds for transport
- ▶ Optional 15'7" (4750 mm) wide truck dump hopper and hinged 30" (762 mm) hopper extensions increase hopper capacity; extension locking supports are safely accessible from ground level; hydraulic operation optional
- ▶ Various hydraulic jack options available: 2 landing, 6 leveling, or 6 pinned "run-on" jacks; enclosed hydraulic unit
- ▶ Quad or 3+1 axle options provide portability in most any location
- ▶ Optional rock breaker with electrical controls and pendent



Undercrusher conveyor lowers for maximum clearance



Optional hydraulic feeder module lift system for easy transport (feeder module shown with optional truck dump hopper)



Raise/lower control panel

www.terexmps.com

Effective Date: May 2013. Product specifications and prices are subject to change without notice or obligation. The photographs and/or drawings in this document are for illustrative purposes only. Refer to the appropriate Operator's Manual for instructions on the proper use of this equipment. Failure to follow the appropriate Operator's Manual when using our equipment or to otherwise act irresponsibly may result in serious injury or death. The only warranty applicable to our equipment is the standard written warranty applicable to the particular product and sale and Terex makes no other warranty, express or implied. Products and services listed may be trademarks, service marks or trade-names of Terex Corporation and/or its subsidiaries in the USA and other countries. All rights are reserved. Terex and Cedarapids are registered trademarks of Terex Corporation in the USA and many other countries. © 2013 Terex Corporation.

Terex® Minerals Processing Systems, 909 17th Street NE, Cedar Rapids, IA 52402 USA
Tel +1 319 363 3511 Fax +1 319 399 4871 www.terexmps.com

Form 25988 (5/8/13)

WORKS FOR YOU.™