

# CEDARAPIDS®

A TEREX BRAND

## Modular Plants

### MC380X Cone Module



A world working better™

 **TEREX**® MPS

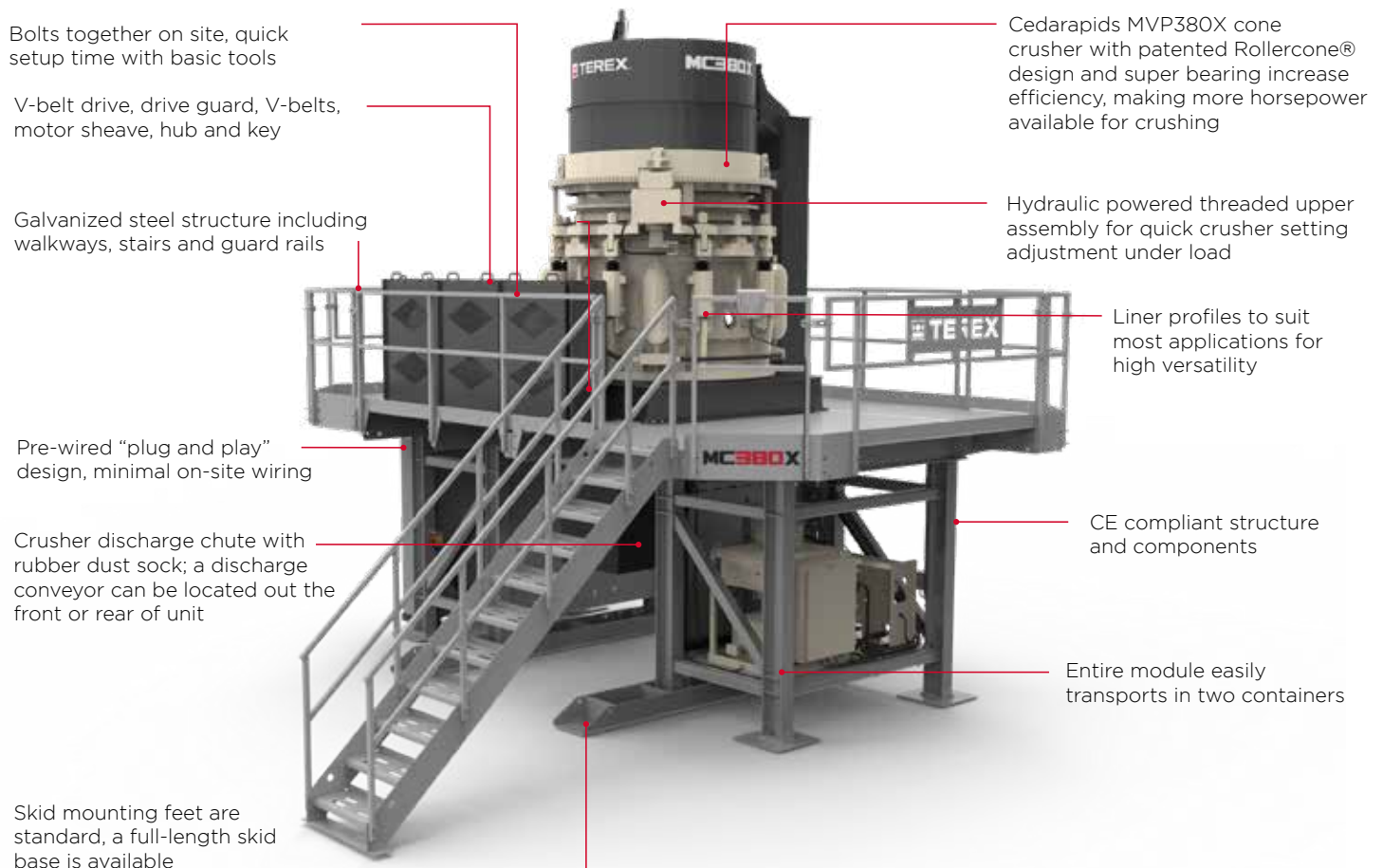
# Cedarapids® Modular Plants

## MC380X Cone Module

Featuring the Cedarapids® MVP380X cone crusher, the MC380X boasts numerous features that increase productivity and ease of use. Based on our universal modular platform, Cedarapids modular cone crushers can grow with your business by simply upgrading the cone crusher chamber and keeping your modular frame. The MC380X is easily transported in a standard shipping container plus flat rack and can be assembled onsite quickly due to the bolt together design.

### Module Structure

- Bolts together on-site, quick setup time with basic tools
- Pre-wired “plug and play” design, minimal on-site wiring
- Robust weather-protected control panel with user-friendly controls
- Galvanized steel structure including walkways, stairs, guard rails, and skid mounting feet
- Flexible design permits two locations for discharge conveyor
- Crusher discharge chute with rubber dust sock CE compliant module structure and components
- Systematically packed in shipping containers for quick site setup and easy transport



## Cone Crusher

- Cedarapids MVP380X with patented Rollercone® design for high efficiency
- Single drive electric motor 300 hp (225 kW) 50 hz
- Adjustable motor mount slide-base tensioning system
- V-belt drive, drive guard, V-belts, motor sheave, hub and key
- Hydraulic skid with 10 hp (7.5 kW) provides hydraulic power for tramp and adjustment systems
- Separate lube skid with 2 hp (1.5 kW) electric lube pump, filter, and valves
- Counterweight wear guard

## Electrical Controls

- 4 emergency stop station
- IP55 electrical panel for manual/automatic control of operation; includes cone hydraulic gap/wear/dump control to set and monitor closed-side setting, calibration, and manganese wear
- Automatic sequence start-up and shut-down
- Plant operation interlocks upstream and downstream Module run/fault indication
- Facility for remote operation
- Ammeter

## Optional Equipment

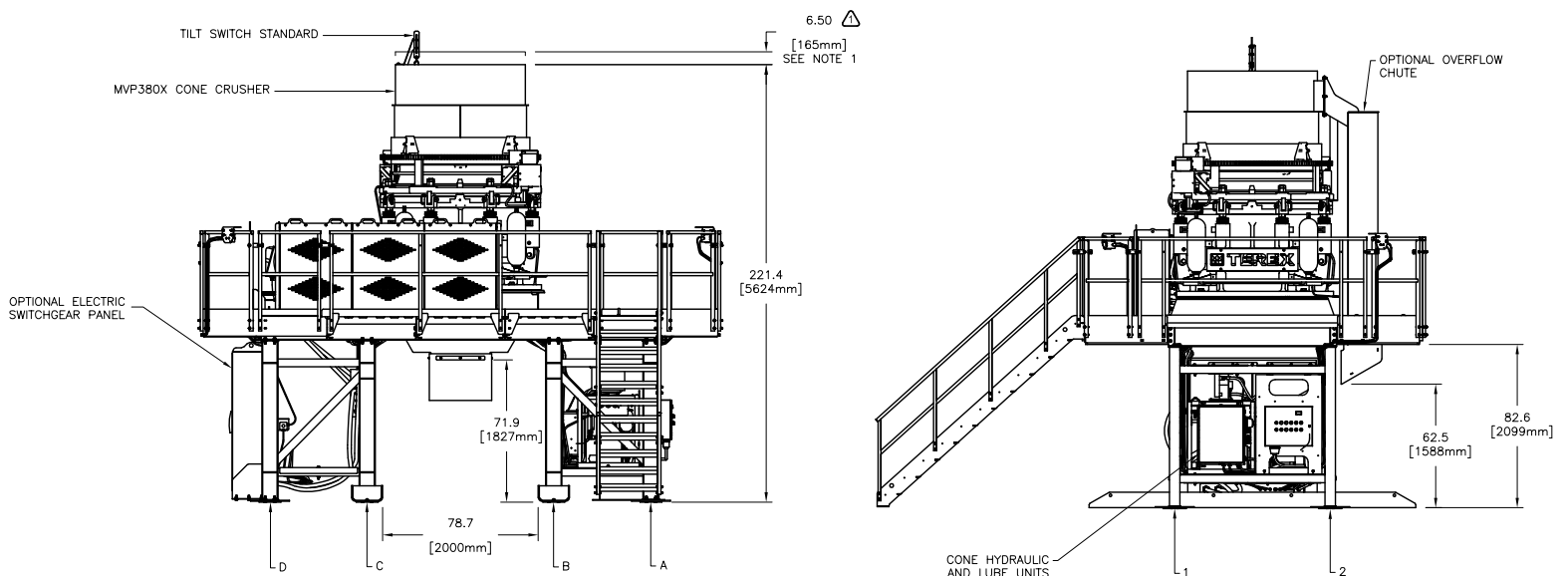
- Motor starter kit to run off-plant cone feed conveyor, product discharge conveyor and feeder
- Overflow chute
- Full-length skid base

### Cone Specifications

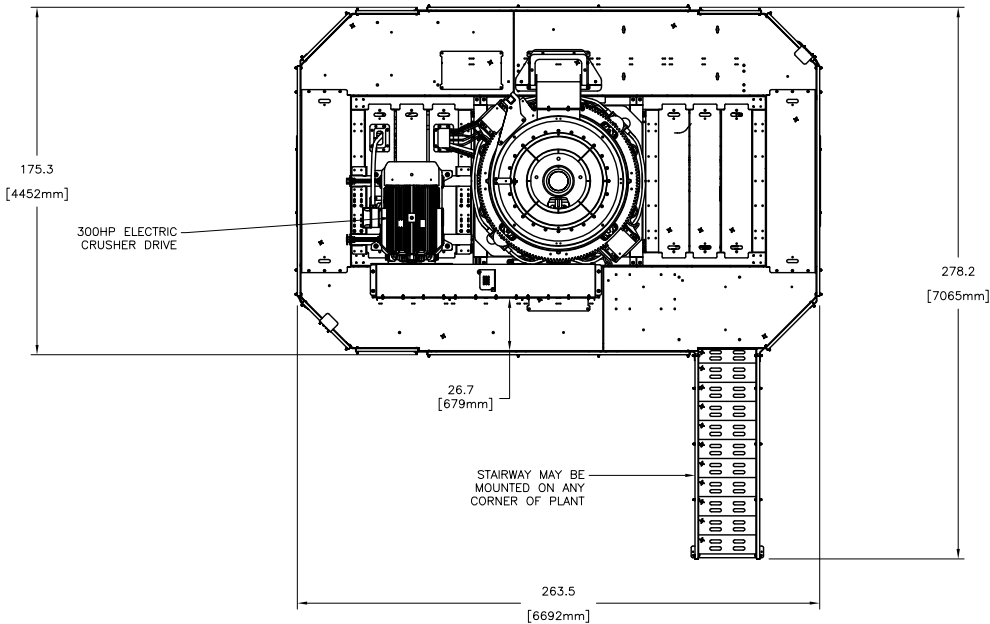
Motor Size	300 hp (225 kW)
Cone Head Diameter	48" (1219 mm)
Maximum Feed Size	12-3/4" (325 mm)
Capacity	135-560 TPH (125-505 MTPH)
Basic Crusher Weight	43130 lbs (19565 kg)
Crusher Width	99" (2515 mm)
Crusher Height	78" (1980 mm)
Bearing Type Thrust	Roller (Super)
Bearing Type Radial	Roller
Adjustment	Screw/Hydraulic Motor

Note: Listed throughput capacity, maximum feed size and motor requirements are approximate and will vary depending on material properties, feed gradation, moisture content, chamber selection, feed method and other site specific operating conditions. Contact your nearest Terex® distributor for further details.

## Working Dimensions



## Working Dimensions



### North America

3900 Fountains Blvd NE, Suite 101  
Cedar Rapids, IA 52411  
Tel: +1 319 363 3511 or +1 800 821 5600  
Fax: +1 319 399 4871

212 South Oak Street  
Durand, MI 48429  
Tel: +1 989 288 3121 or +1 888 571 8352  
Fax: +1 989 288 4113

### Europe, Russia & Africa

Farlough Road, Dungannon  
Northern Ireland. BT71 4DT  
Tel: +44 (0) 28 8744 0795

### Central Asia, Turkey & North Africa Region

Mehmet Akif Ersoy Mah.287.SkNo 1/D  
06172 Yenimahalle - Ankara Turkey  
Tel: +90 312 354 90 90

### Australia

**Melbourne & Victoria**  
133 Logis Boulevard  
Dandenong South, VIC 3175  
Tel: +61 3 8794 4100  
Fax: +61 3 9706 7810

**Sydney & New South Wales**  
114 Hassall Street  
Wetherill Park, NSW 2164  
Tel: +61 2 9604 6524  
Fax: +61 2 9604 9368

**Brisbane & Queensland**  
585 Curtin Avenue East  
Eagle Farm, QLD 4009  
Tel: +61 7 3630 0866  
Fax: +61 7 3630 1097

**Perth & Western Australia**  
4 Miles Road  
Kewdale, WA 6105  
Tel: +61 8 6254 4100  
Fax: +61 8 9350 5534

[www.terexmps.com](http://www.terexmps.com)

January 2020. Product specifications and prices are subject to change without notice or obligation. The photographs and/or drawings in this document are for illustrative purposes only. Refer to the appropriate Operator's Manual for instructions on the proper use of this equipment.

Failure to follow the appropriate Operator's Manual when using our equipment or failure to act responsibly may result in serious injury or death.

The only warranty applicable to our equipment is the standard written warranty applicable to the particular product and sale, and Terex makes no other warranty, express or implied. Terex, the Terex Crown design, Cedarapids, Canica, Simplicity, Jaques, El-Jay and Rollercone are trademarks of Terex Corporation or its subsidiaries. All rights are reserved. © 2020