



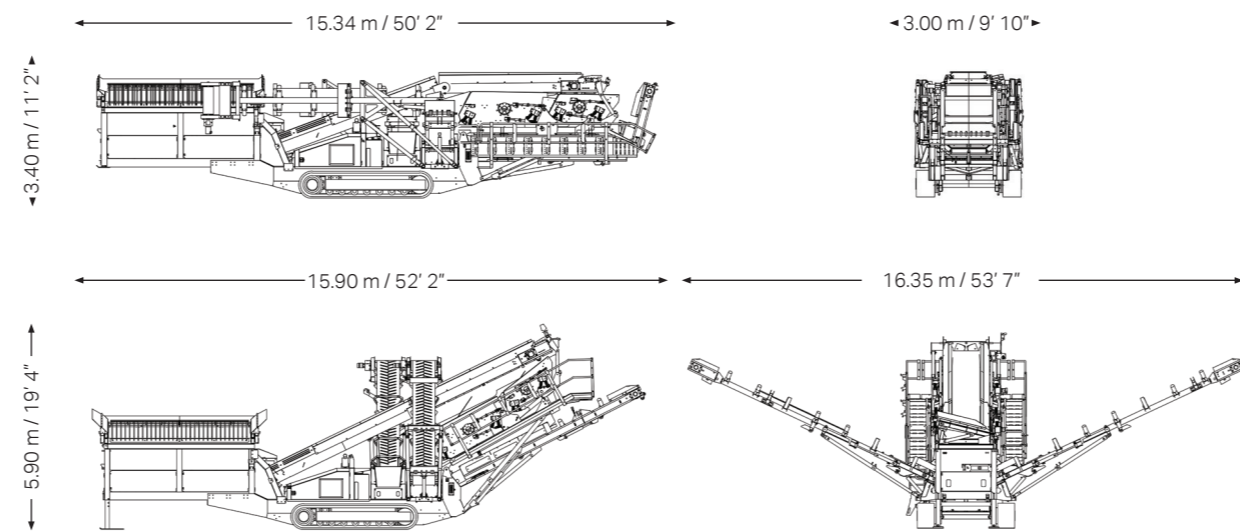
SANDVIK QA335 DOUBLESREEN

TECHNICAL SPECIFICATIONS

KEY SPECIFICATIONS	DATA
Screen type	Doublescreen 2 deck
Screen box size	13' x 5' / 3.96 m x 1.52 m
Tensioning system	Ratchet
Speed	1200 rpm
Throw	7 mm
Motor	33 cc x 2 off

KEY SPECIFICATIONS	DATA
Power pack	
Engine type	CAT C2.8 Stage 5 / T4F 55 kW / 74 hp CAT C3.4 T4F 55 kW / 74 hp CAT C2.8 Stage 3A LRC * 55 kW / 74 hp
Diesel tank size	350 litres / 93 USG
Hydraulic tank size	630 litres / 166 USG

Note. All weights and dimensions are for standard units only
* Lesser Regulated Countries



Standard weight 28,518 kg / 627,871 lbs

At the heart of the QA335 is the Doublescreen box, one of the most adaptable and flexible screening solutions available on the market today. Consisting of two high velocity screen boxes, featuring independent screen drives & the ability to adjust the working angle of each screen independently to each other to suit the exact requirements of your application. The Doublescreen technology offers a screening solution no other mobile double deck manufacturer can provide as its two screen boxes offer an unsurpassed level of separation on a wide range of materials, at very high rates of production.



- ① First screen is used as a fines extractor
- ② The majority of the undersize is removed during initial impact
- ③ Second screen produces accurate gradings
- ④ Clean gradings, at very high output, are produced as material is exposed to a very large screening area



B5-337 ENG © Sandvik Mobile Crushing and Screening 2021. SANDVIK is a registered trademark owned by Sandvik Intellectual Property AB in Sweden and other countries. Subject to change without notice.

QA335 DOUBLESCREEN

KEY SPECIFICATIONS	DATA
Screen type	Doublescreen 2 deck
Screen box size	13' x 5' / 3.96 m x 1.52 m
Engine	CAT C2.8 Stage 5 / T4F 55 kW / 74 hp CAT C3.4 T4F 55 kW / 74 hp CAT C2.8 Stage 3A LRC * 55 kW / 74 hp
Transport dimensions	15.34 m / 50' 2" (l) 3.00 m / 9' 10" (w) 3.40 m / 11' 2" (h)
Weight	28,518 kg / 627,871 lbs

* Lesser Regulated Countries

COMPACT HIGH PRODUCTIVITY SCREENING

Featuring Sandvik's renowned Doublescreen technology, the QA335 is a highly efficient, versatile and productive solution designed with your needs in mind.

Based on a 3.96 m x 1.52 m / 13' x 5' Doublescreen, this innovative technology features two high velocity, angle adjustable screens, where both the primary & secondary screening angles can be adjusted to optimise screening performance and accuracy.

Targeted specifically for our recycling and contractor customers, the QA335 Doublescreen has been designed for best performance, efficiency & ease of operation. It comes equipped with sequential start up and radio remote control with two speed tracking and a wrap-around walkway to provide you with a safe working platform for service and maintenance.

STANDARD FEATURES INCLUDE:

- Large volume hopper complete with remote control hydraulic tipping grid
- High production capability due to patented Doublescreen system featuring two in-line, double deck screenboxes, that are independently driven & angle adjustable.
- Up to 15% lower fuel consumption through optimised hydraulics and reduced engine RPM
- User friendly control panel with sequential start-up for ease of operation
- Two speed tracking for faster relocation between jobsites
- Wide range of optional extras to suit different applications

- ① Side conveyors x 2 off
- 650 mm / 26" wide belt with a discharge height of 4.70 m / 15' 5" for massive stockpiling capability

- ② Screen box
- Renowned double deck 13' x 5' / 3.96 m x 1.52 m Doublescreen for high production capabilities
 - Separate hydraulic adjustment of the screen box angle provides over twenty different combinations
 - Easy-change mesh facility with highly efficient ratchet tensioning system
 - Hydraulically folding walkway for ease of maintenance

- ③ Main conveyor
- 1.00 m / 39" wide variable speed conveyor
 - Hydraulic raise/lower facility to enable quick mesh change and easy maintenance

- ④ Maintenance platform
- Hydraulically folding wrap-around walkway for ease of maintenance and operator safety

- ⑤ Fines tail conveyor
- 1.20 m / 47" wide belt with a discharge height of 3.90 m / 12' 9" for massive fines stockpiling capability

- ⑧ Hopper
- Large volume hopper complete with remote control hydraulic tipping grid
 - Variable speed belt feeder, heavy duty-roller bed and belting
 - Heavy duty feeder drive system for large throughput
 - Optional double deck vibrating grid

- ⑥ Power pack
- Emissions compliant diesel engine
 - Up to 15% lower fuel consumption through optimised hydraulics and reduced engine RPM
 - User friendly push button control panel with sequential start-up for ease of operation
 - Easy access to the engine compartment for service and maintenance
 - My Fleet telematics

- ⑦ Tracks
- 500 mm / 20" wide two speed tracks for faster relocation between jobsites
 - Radio remote control, proportional tracking as standard



STANDARD FEATURES



Patented double deck Doublescreen technology



Simplified control panel for ease of operation



Two-speed tracking and remote control



Three sided walkway around main conveyor



Efficient hydraulic system and low RPM for fuel economy



Massive stockpiling capabilities